

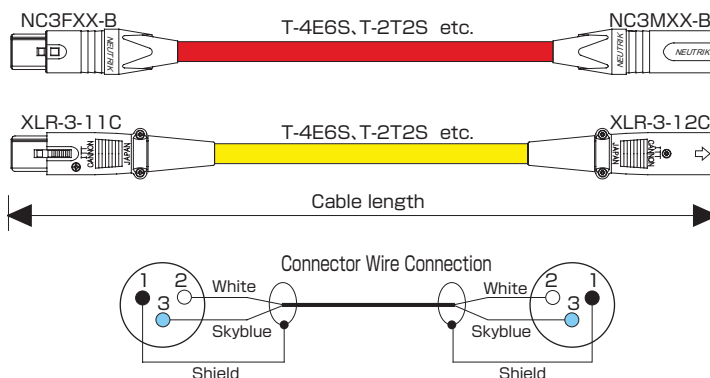
XLR Cable

- Specify XLR Connector made by ITT Cannon, or Neutrik, for processing to T-4E6S (Cable color:10 colors) mainly to XLR Connector, and T-2T2S, T-4E5S, T-4E6AT, T-4E5AT, T-4E6, T-4E5.
- Specify cable length, and color. Clear shrinkable tube can be processed to protect XLR Connector made by ITT Cannon.
- Identification Seal (S1, S2) can be pasted listed on Page 24.

Cable color for identification

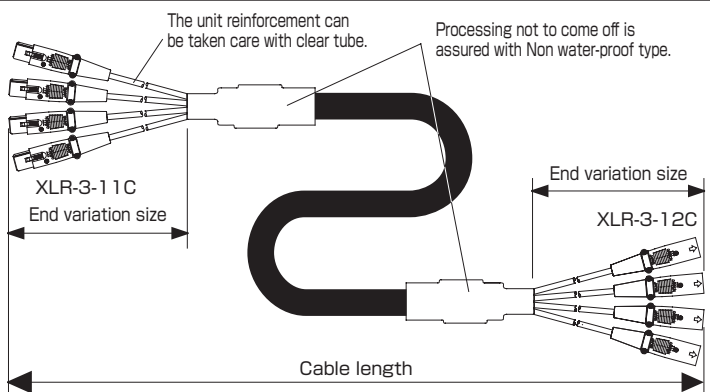


※Color is different by each cable.
Confirm the details on Page 29, 33.



XLR Multiple Cable

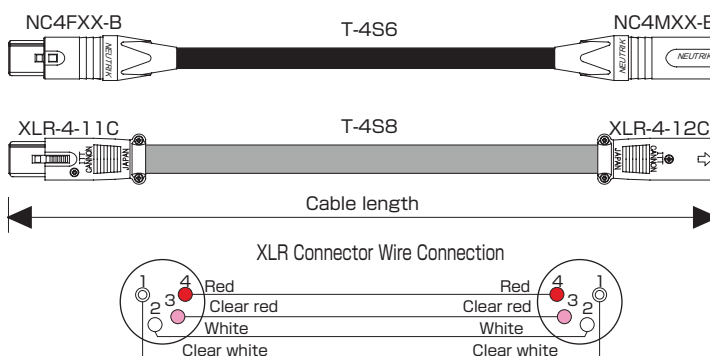
- XLR Connector to be processed for T-4E3-P series and TMR202-AT series as for Multiple Audio Cable for Relay on both ends.
- The unit sheath is respectively reinforced by clear tube. Because of inside sheath visible, channel identification is easily possible as usual.
- Selection is possible whichever XLR Connector made by ITT Cannon, or made by Neutrik. In case of XLR Connector made by ITT Cannon selected, it is possible to protect connector with clear shrinkable tube. Contact with our business department on the details.
- Specify the cable length and end variation size.
- It is possible to paste Identification Seal (M1, M2) listed on Page 24.
- Connector wire connection by each channel wise shall be same with XLR Cable. (Other requirement can be also taken care of respectively.)



Speaker Cable

- XLR Connector to be processed for mounting to T-4S6, T-4S8. In T-4S6, T-458 specify XLR type. Made by ITT Cannon or Made by Neutrik. In T-4S11, NL4FX Made by Neutrik can be processed.
- Specify cable length and color. In case of mounting XLR Connector Made by ITT Cannon, it is possible to process clear shrinkable tube for connector protection.
- It is possible to paste Identification Seal (M1, M2) listed on Page 24.

Cable color for identification



110Ω Digital Audio Cable

- Cable for 110Ω Digital Audio.
- Single type can be processed to T-DA20□ series and T-DA20□AT series. Specify XLR Connector Made by ITT Cannon, Neutrik.
- In multiple type, both ends D-sub 25pin plug connector mounting, or D-sub 25pin one end and end variation processing of XLR type connector on other end is available. In end variation processing case, clear tube is used to protect unit as reinforcement.
- Contact with our business department on wire connection and connection screw size in multiple type at D-sub side.
- Specify cable length, end variation size. It is possible to paste Identification Seal both for single type and multiple type listed on Page 24.

Cable color for identification

※Basic cable color to be all Blue.
For T-DA203AT, to be Purple only.

